

ITEM NO.	DESCRIPTION	QTY.
1	COMPRESSION LUG	25

HPW CATALOG NO.	CONDUCTDR	BOLT SIZE	FIG. NO.	DIMENSIONS											DIE INDEX		MECHANICAL RATCHET		HYDRAULIC		DIELESS (# CRIMPS)	WIRE STRIP LENGTH		
				B	C	E	H	K DIA.	L	N	O.D.	T REF.	Y MIN.	COLDR CODE	MECH CODE	HY750, HPAT750	HY2CRT (# CRIMPS)							
HGBL02DA	#2 AWG	1/4 [M6]	1	±.06	+04	±.02 [I9]	REF.	±.02 [7]	±.09 [75]	±.04 [8]	±.01 [11]	REF.	REF.	109 [28]	10	BROWN	HMR0340 (2)	HOUR840	HPAT600	HY750, HPAT750	HY2CRT (2)	HUCRTW (1)	HMY2911 (1)	1-5/16

INSTALLATION TOOLING (# CRIMPS)

NOTES:  
1. SPECIFICATIONS SUBJECT TO CHANGE WITHOUT NOTICE.

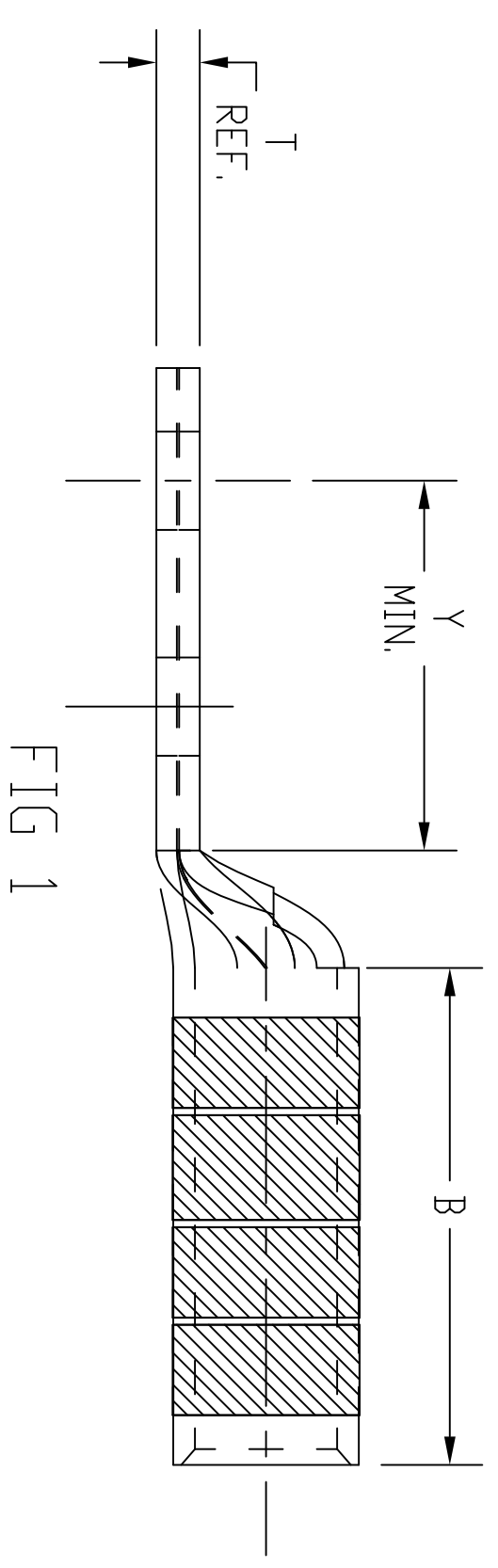
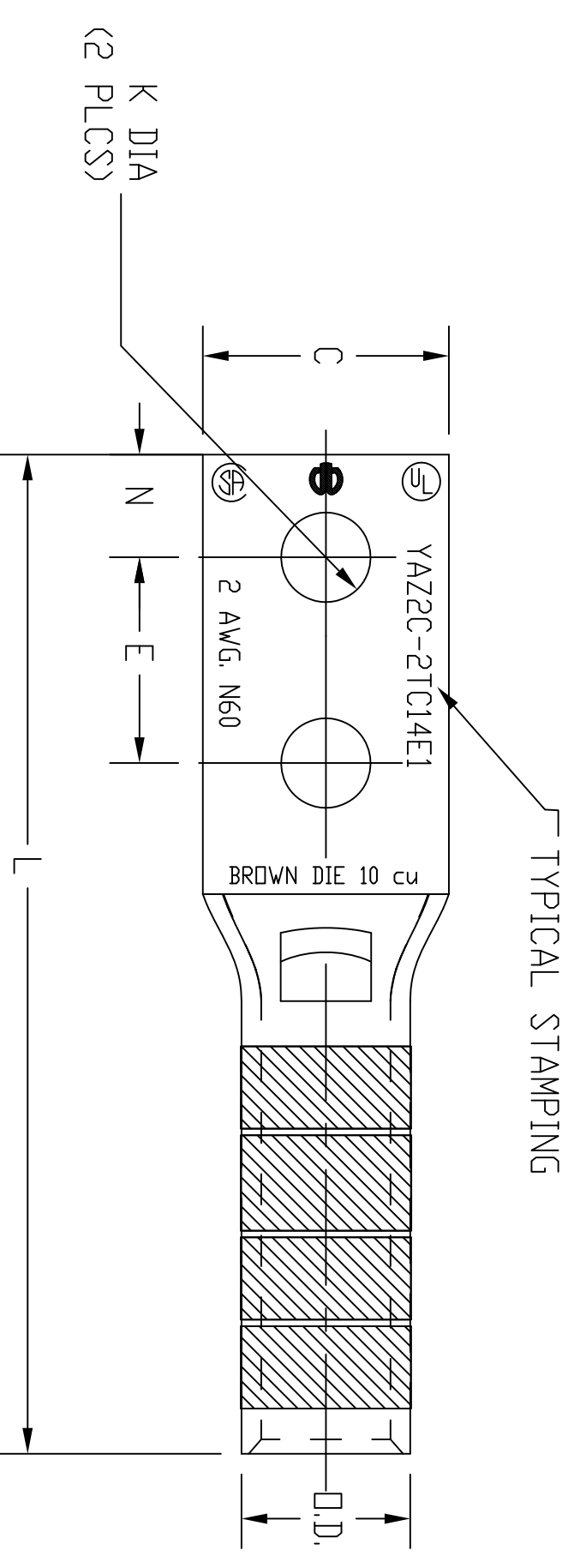


FIG 1

REV.	EON	DATE	INITIAL RELEASE	CHG BY	APPD BY
1	17862	4/18/12		CG	

Created on AUTOCAD

DIMENSIONING AND TOLERANCE PER ANSI Y14.5M-1982 UNLESS OTHERWISE SPECIFIED. DIMENSIONS ARE IN INCHES (MM). TOLERANCES

XXX = ±.01 (25) .XXX = ±.005 (125) .XXX = ±.002 (50) ANGLE TO .1°

PROJECT REFERENCE: 2011-041

MATERIAL: TIN PLATED COPPER

DRAWN BY: C. GRIBBLE 4/18/12

CHECKED BY:

APPROVED BY:

HUBBELL  
Hubbell Premise Wiring  
HUBBELL INCORPORATED (Delaware)  
14 Lord's Hill Road, Stonington, Connecticut 06378

TITLE#2 AWG COPPER COMPRESSION LUG, LONG BARRELL DOUBLE HOLE, 0.250" HOLE SIZE, 0.750" HOLE SPACING

SIZE D DRAWING NO. HWS777061C

SCALE: 1/1 SHEET 1 OF 1

REV. 1